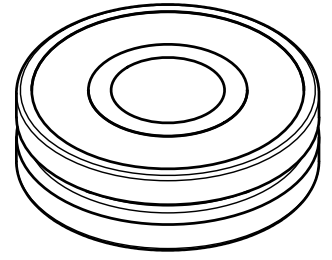
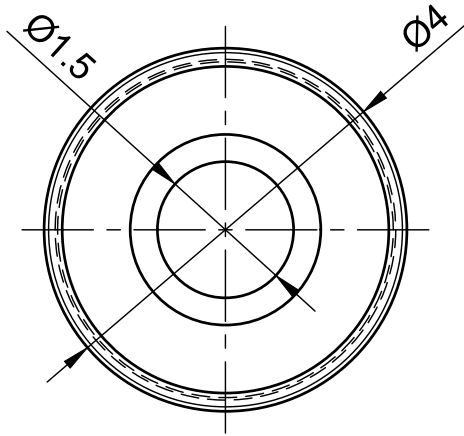
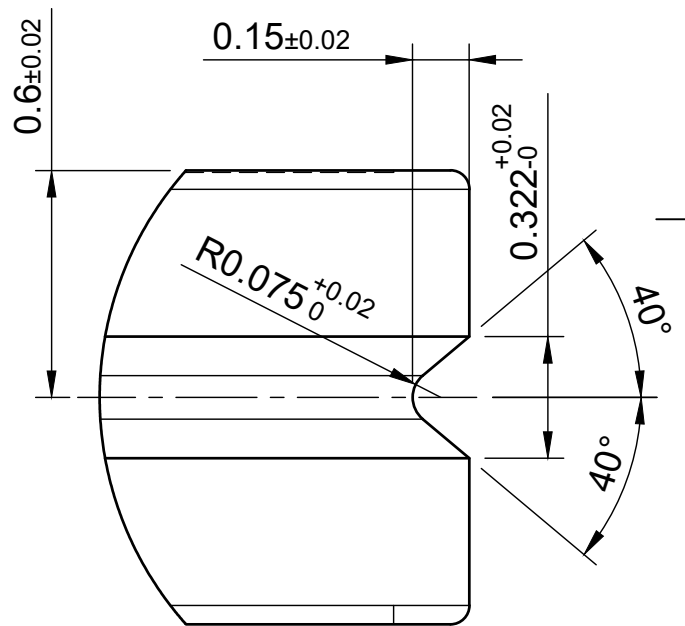
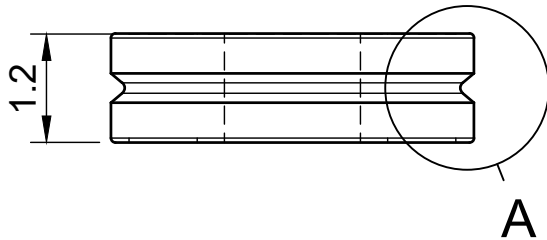


12:1

10:1



溝加工図



A (50:1)

母材:681X-H(ミスミ品番)

材質:ステンレス

注記:溝部(追加工部)は有害なバリ無き事

Dept.	Technical reference	Created by KK	Approved by	
		2022/04/17		
		Document type	Document status	
		Title Bearing(with groove)	DWG No. SSR-001A	
		Rev. A	Date of issue 20220417	Sheet A4