



The Timken Company

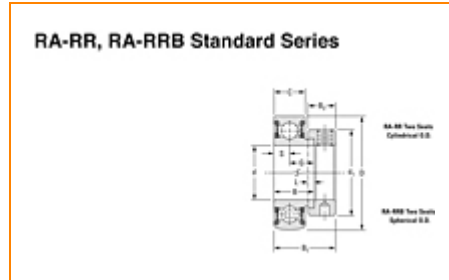
4500 Mt Pleasant St. NW

N. Canton, OH 44720

Phone: (234) 262-3000

E-Mail: CustomerCAD@timken.com • **Web site:** www.timken.com

Part Number RA104RR, Fafnir® Eccentric Locking Collar Ball Bearings



[Specifications](#) | [Dimensions](#) | [Basic Load Ratings](#)

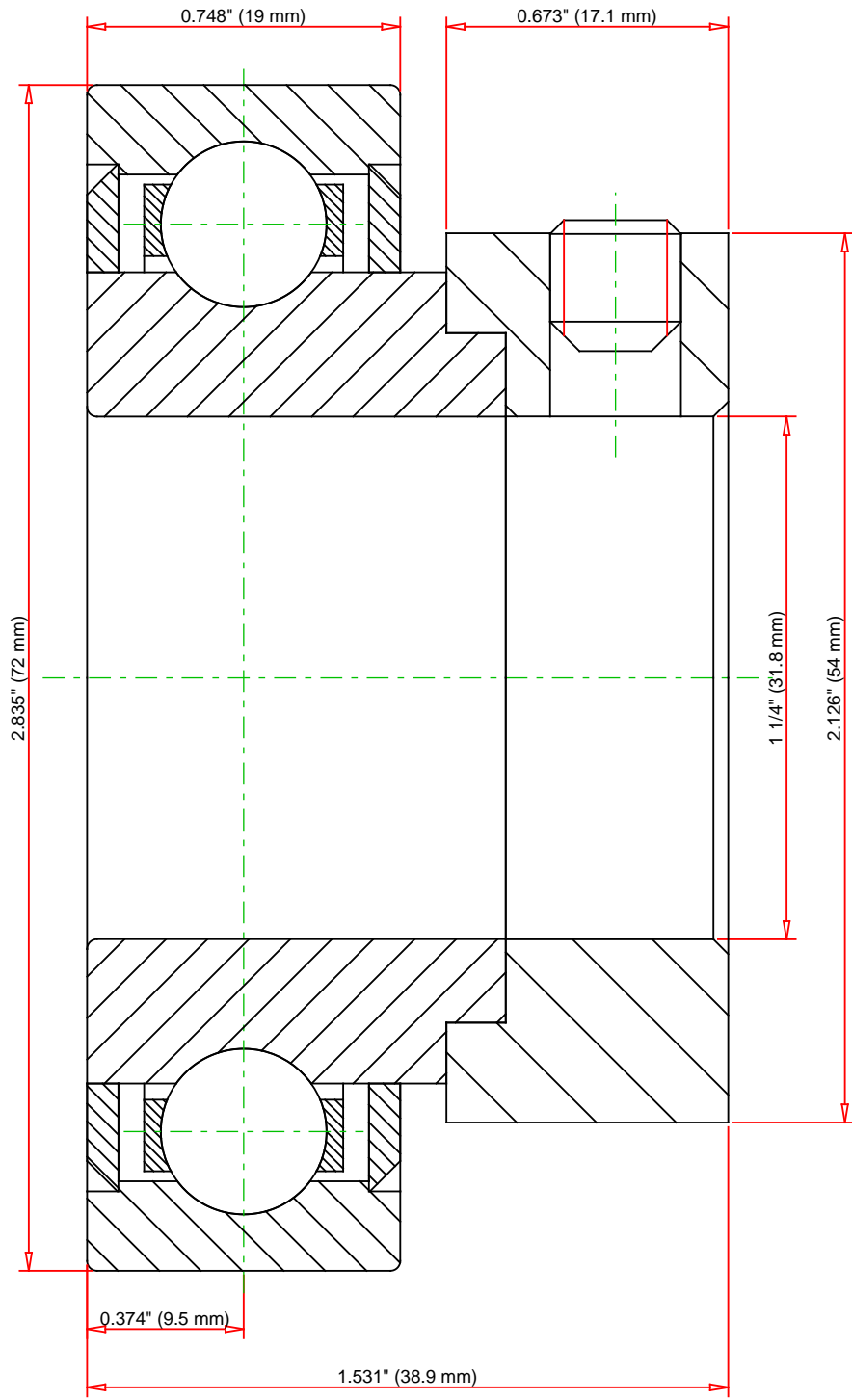
Specifications

Series	Standard
Shaft Size d	1.2500 in
Bore Type	Cylindrical bore
Bearing Type	Ball Bearing
Material	Bearing Steel
Lubrication Type	Non-Relubricatable
O.D. Type	Cylindrical OD
Sub Series	RA..RR
Seal Type	Molded Shroud

Outside Diameter D	72 mm 2.835 in
Inner Ring Width B	25.4 mm 1 in
Outside Ring Width C	19 mm 0.748 in
Radius r	0.6 mm 0.024 in
Center of Bearing from End S	9.5 mm 0.374 in
Set Screw Size	5/16-18
Number of Set Screws	2
Angle between Set Screws	90°
Dimension d1	54 mm 2.126 in
Dimension B1	38.9 mm 1.531 in
Dimension B2	17.1 mm 0.673 in

Basic Load Ratings

Static Load Rating	15300 N 3440 lbf
Dynamic Load Rating	28500 N 6400 lbf



Weight	0.5 lb	0.2 kg
--------	--------	--------

TIMKEN®

THE TIMKEN COMPANY
NORTH CANTON, OHIO USA

RA104RR
Fafnir® Eccentric Locking Collar Ball Bearings

Static Load Rating	3440 lbf	15300 N
Dynamic Load Rating	6400 lbf	28500 N

Every reasonable effort has been made to ensure the accuracy of the information contained in this writing, but no liability is accepted for errors, omissions or for any other reason.

FOR DISCUSSION ONLY



The Timken Company

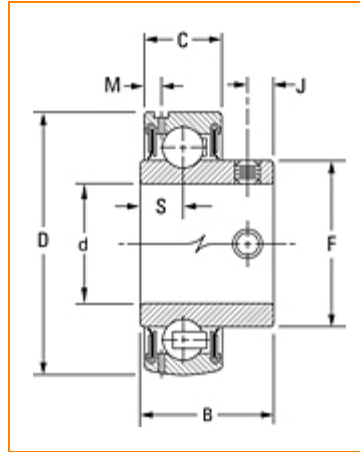
4500 Mt Pleasant St. NW

N. Canton, OH 44720

Phone: (234) 262-3000

E-Mail: CustomerCAD@timken.com • **Web site:** www.timken.com

Part Number GYA103RRB2, Fafnir® Wide Inner Ring Setscrew Locking Ball Bearings



[Specifications](#) | [Dimensions](#) | [Basic Load Ratings](#)

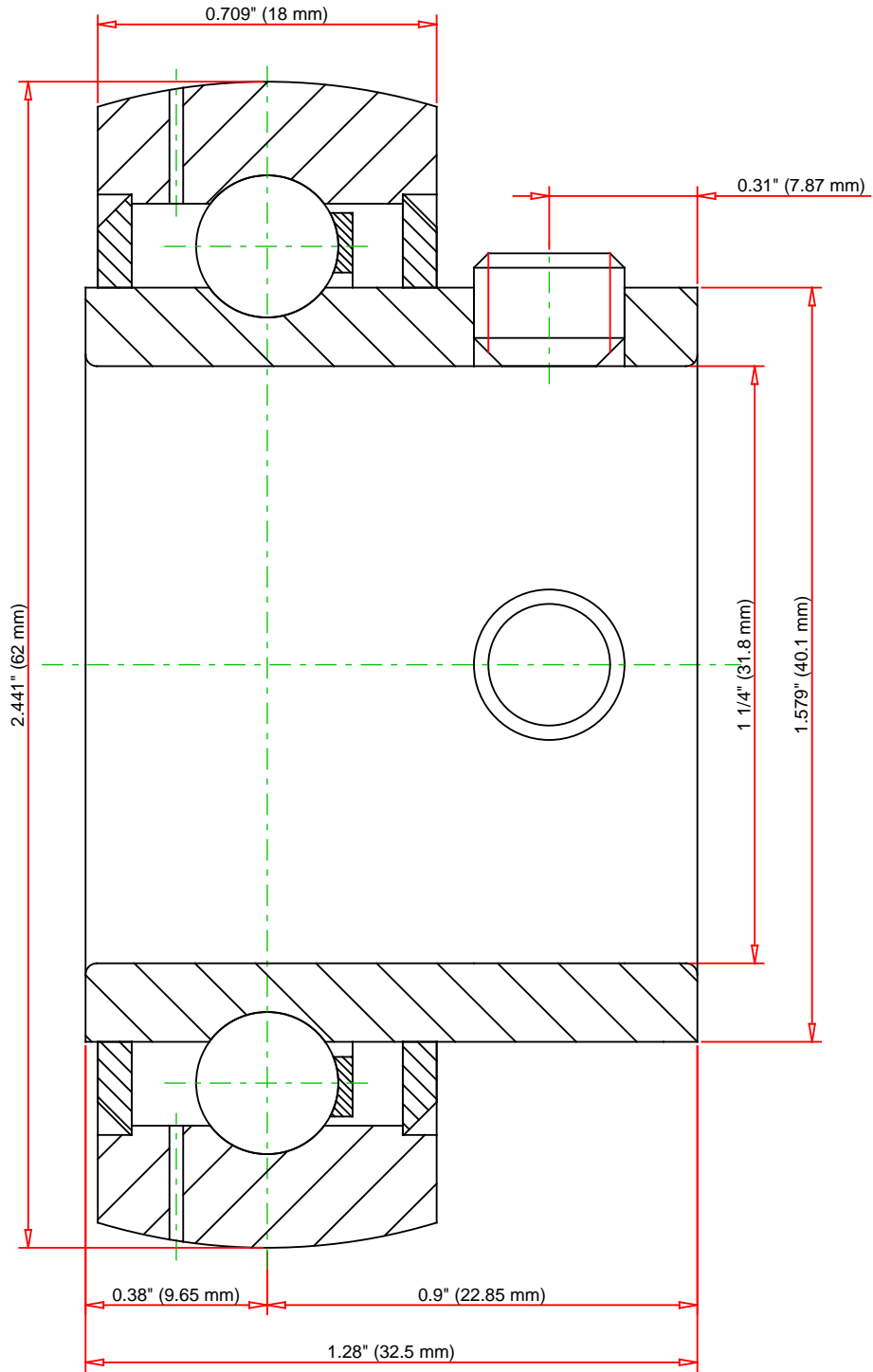
Specifications

Series	Standard
Shaft Size d	1.2500 in
Bore Type	Cylindrical bore
Bearing Type	Ball Bearing
Material	Bearing Steel
Lubrication Type	Relubricatable
O.D. Type	Spherical OD
Sub Series	GYA..RRB
Seal Type	Narrow Shroud

Outside Diameter D	62 mm 2.441 in
Inner Ring Width B	32.5 mm 1.28 in
Outside Ring Width C	18 mm 0.709 in
Radius r	0.6 mm 0.024 in
Center of Bearing from End S	9.65 mm 0.38 in
Dimension S1	22.85 mm 0.9 in
Dimension F	40.1 mm 1.579 in
Dimension J	7.87 mm 0.31 in
Dimension M	4.17 mm 0.164 in
Set Screw Size	M8x1.25
Number of Set Screws	2
Angle between Set Screws	90°

Basic Load Ratings

Static Load Rating	11300 N 2530 lbf
Dynamic Load Rating	21600 N 4850 lbf



Weight	0.5 lb	0.2 kg
--------	--------	--------

TIMKEN®

THE TIMKEN COMPANY
NORTH CANTON, OHIO USA

GYA103RRB2

Fafnir® Wide Inner Ring Setscrew Locking Ball Bearings

Basic Load Ratings - C _r	4850 lbf	21600 N
Load Ratings - C _{0r}	2530 lbf	11300 N

Every reasonable effort has been made to ensure the accuracy of the information contained in this writing, but no liability is accepted for errors, omissions or for any other reason.

FOR DISCUSSION ONLY



The Timken Company

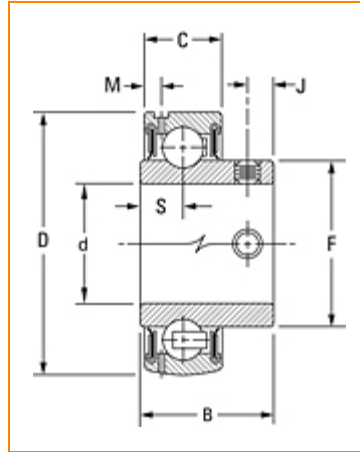
4500 Mt Pleasant St. NW

N. Canton, OH 44720

Phone: (234) 262-3000

E-Mail: CustomerCAD@timken.com • **Web site:** www.timken.com

Part Number GYA108RRB, Fafnir® Wide Inner Ring Setscrew Locking Ball Bearings



[Specifications](#) | [Dimensions](#) | [Basic Load Ratings](#)

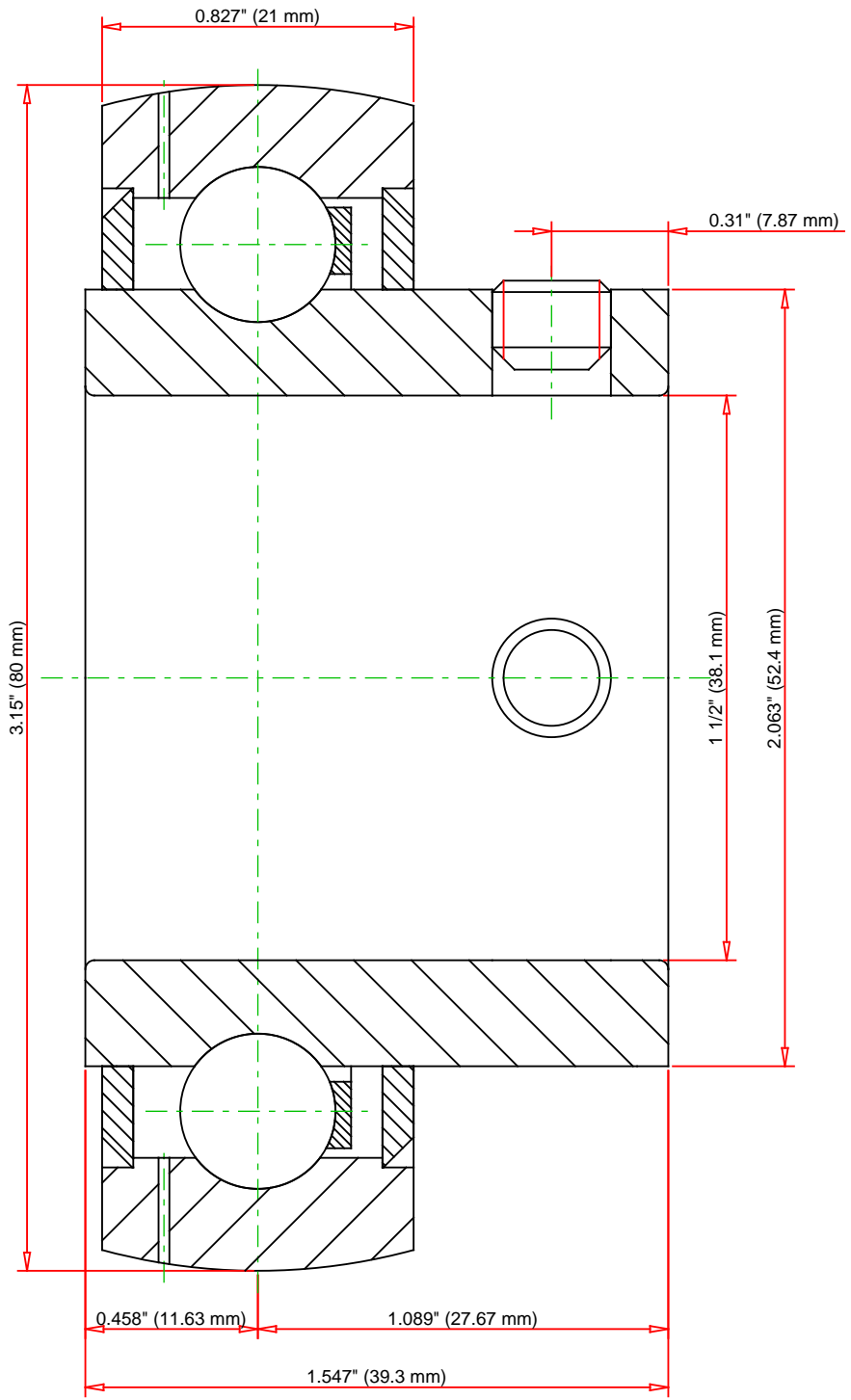
Specifications

Series	Standard
Shaft Size d	1 1/2 in
Bore Type	Cylindrical bore
Bearing Type	Ball Bearing
Material	Bearing Steel
Lubrication Type	Relubricatable
O.D. Type	Spherical OD
Sub Series	GYA..RRB
Seal Type	Narrow Shroud

Outside Diameter D	80 mm 3.150 in
Inner Ring Width B	39.3 mm 1.547 in
Outside Ring Width C	21 mm 0.827 in
Radius r	0.6 mm 0.024 in
Center of Bearing from End S	11.63 mm 0.458 in
Dimension S1	27.67 mm 1.089 in
Dimension F	52.4 mm 2.063 in
Dimension J	7.87 mm 0.31 in
Dimension M	4.17 mm 0.164 in
Set Screw Size	M8x1.25
Number of Set Screws	2
Angle between Set Screws	90°

Basic Load Ratings

Static Load Rating	19800 N 4460 lbf
Dynamic Load Rating	36200 N 8130 lbf



Weight	0.5 lb	0.2 kg
--------	--------	--------

TIMKEN[®]

THE TIMKEN COMPANY
NORTH CANTON, OHIO USA

GYA108RRB
Fafnir[®] Wide Inner Ring Setscrew Locking Ball Bearings

Basic Load Ratings - C _r	8130 lbf	36200 N
Load Ratings - C _{0r}	4460 lbf	19800 N

Every reasonable effort has been made to ensure the accuracy of the information contained in this writing, but no liability is accepted for errors, omissions or for any other reason.

FOR DISCUSSION ONLY